



# HIGH OUTPUT COIL 30-2852

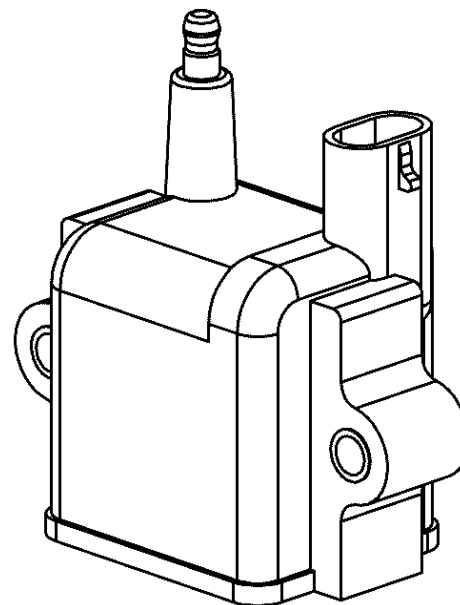
The model **30-2852 HO Coil** is a specially designed, high energy coil for racing applications so you must take special attention with the connections. Apply a liberal amount of dielectric grease to the terminals and the tip of the spark plugs. Failure to do this may cause arcs to the cylinder head and cause a misfire.

## The 30-2852 Kit Contains:

- 1 High Output Coil
- 1 Mating Connector & 4 Contacts

## SPECIFICATIONS:

Primary Resistance:	0.5 $\Omega$ +/- 10%
Primary Inductance:	4.8 mH +/- 15%
Secondary Resistance:	8.5 k $\Omega$ +/- 20%
Secondary Inductance:	22.5 H +/- 20%
Output (50pF load):	41 kV +/- 10%
Output Energy:	118 mJ +/- 7%
Peak Secondary Current:	100 mA +/- 7%
Arc Duration:	3.2 mS +/- 10%
Turns Ratio	71:1
Maximum Battery Voltage:	17 Volts
Base Dwell:	3.0 mS
Max Continuous Dwell:	9 mS but don't exceed 40% duty cycle
Max Intermittent Dwell:	80% duty cycle, 5 seconds maximum
Mating Connector:	Packard/Delphi 12162182 "Pull to Seat"
Mating Contacts:	Packard/Delphi 12124075 "Pull to Seat"
High Tension Wire Terminal:	HEI "spark plug top" Style



## PINOUT:

- A: Battery Positive (Relay or switched ignition or high voltage input for CDI)
- B: Coil Trigger (Charging when low)
- C: Ground to Cylinder Head

## IMPORTANT!

*The contacts are "Pull to Seat" meaning you must feed the wire through the connector housing BEFORE you crimp on the contacts. The wire is then pulled back into the housing and the contact locks in place. The contact cannot be inserted or removed from the rear (wire side entry) of the housing*

## DWELL:

When using in dwell controlled systems (i.e. non-CDI) the following guidelines should be used:

- Target a base dwell time of 3mS and *only* increase it when needed due to high cylinder pressures.
- The maximum individual coil dwell "ON" time must not exceed 9mS at any time, regardless of engine RPM. Exceeding this time will cause the coil to overheat and fail.
- For continuous duty the maximum "ON" time must remain below 40% duty (on 40% of the time, off 60% of the time). Exceeding this will cause the coil to overheat and fail.
- For short bursts, the coil dwell can go as high as 80% "ON" duty but these forays need to be short (under 5 seconds or so) and cannot be frequent.

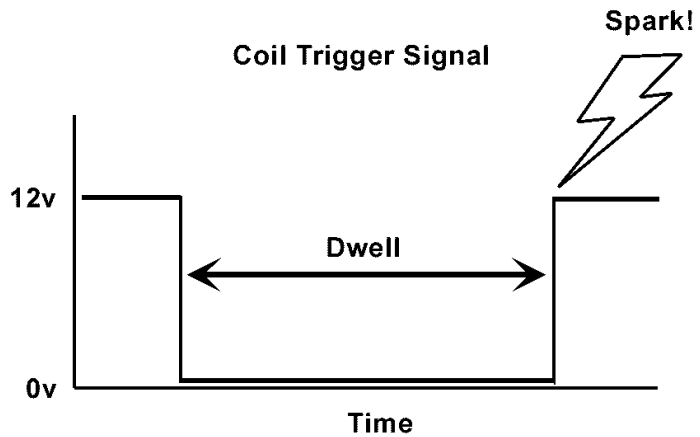
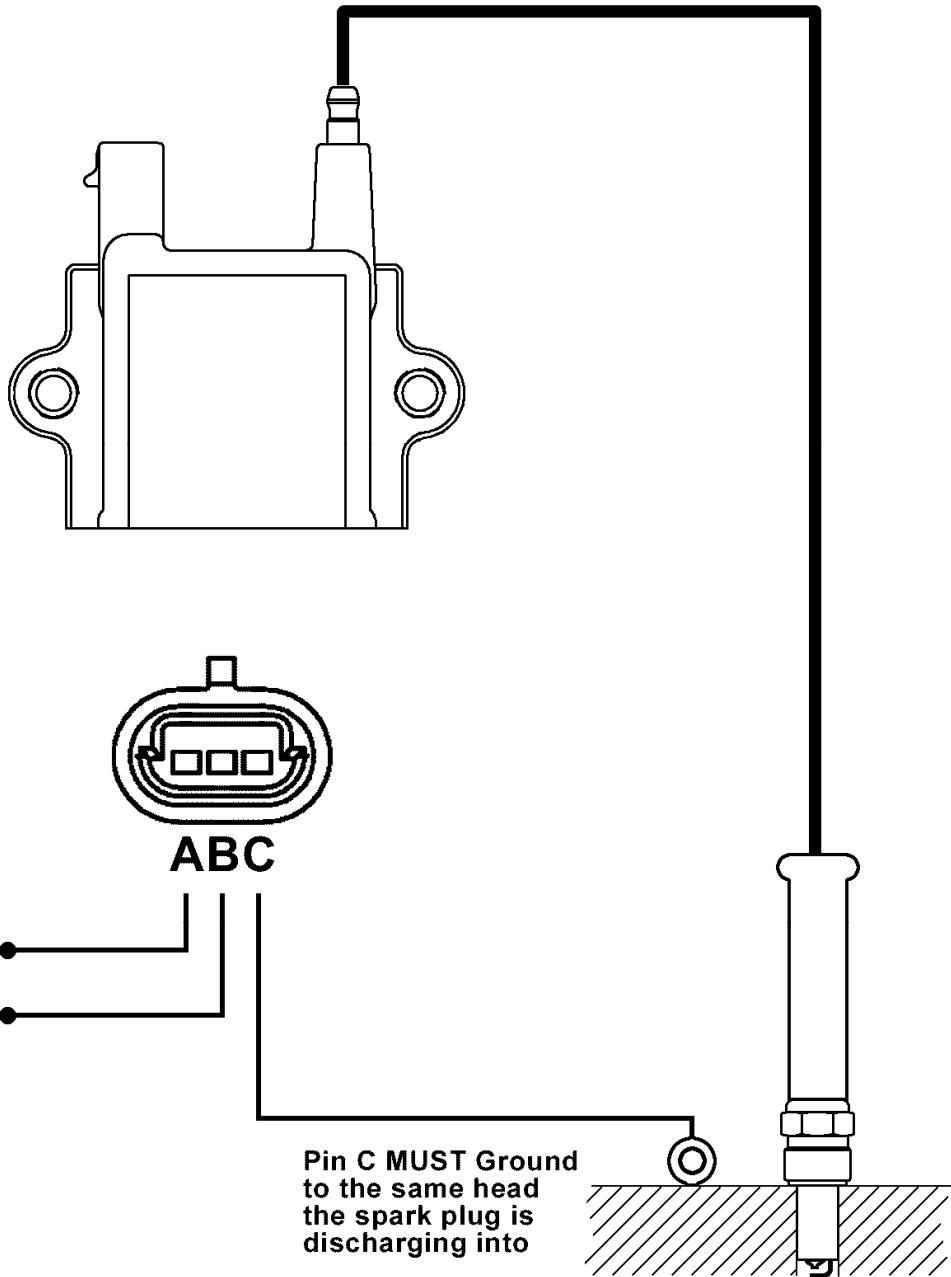
**For technical assistance, contact AEM Tech support at [emstech@aempower.com](mailto:emstech@aempower.com)**

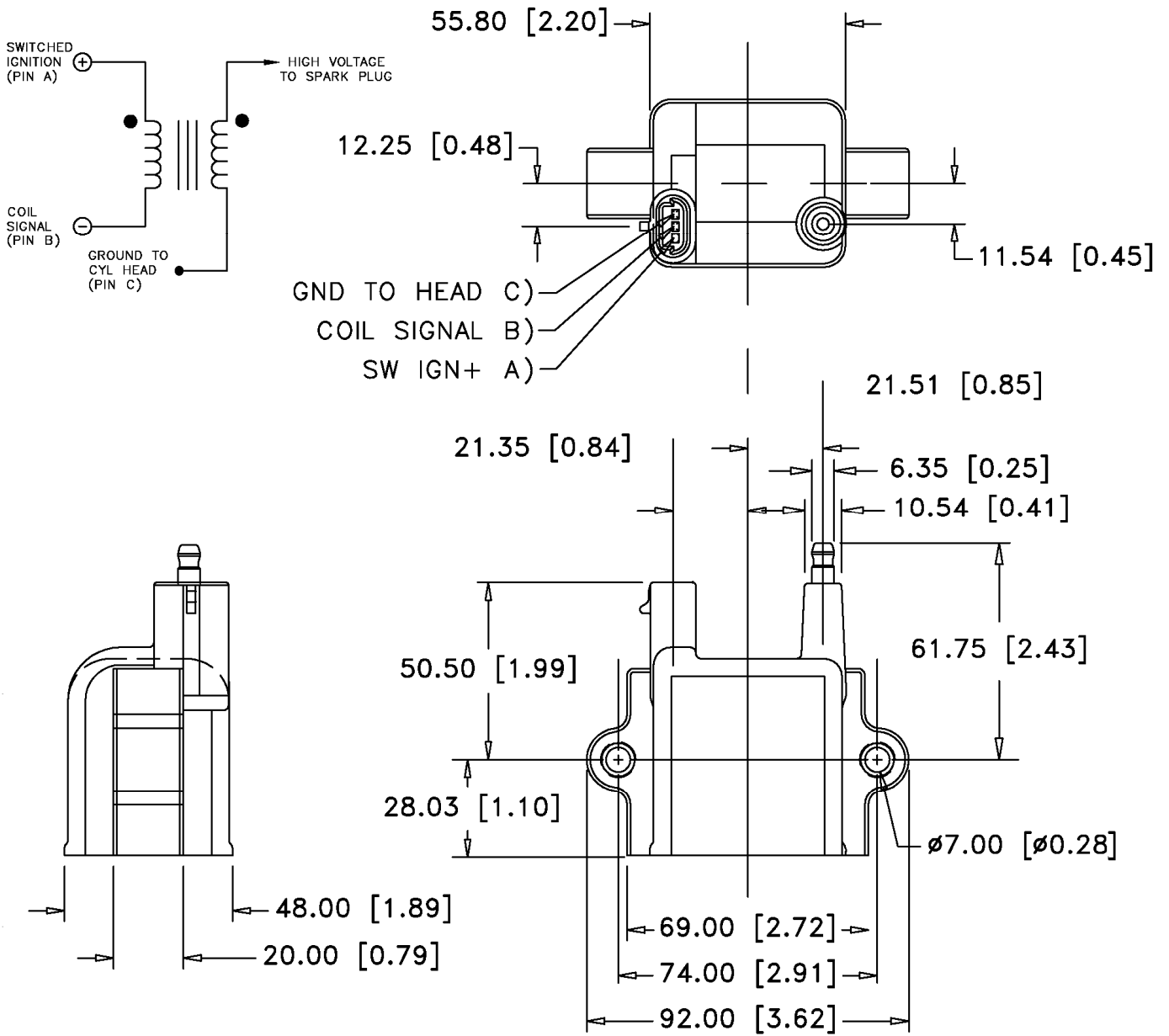
**ADVANCED ENGINE MANAGEMENT INC. [HTTP://WWW.AEMELECTRONICS.COM](http://www.aemelectronics.com)**

This product is legal in California for racing vehicles only and should never be used on public highways.

Advanced Engine Management, 2205 126<sup>th</sup> Street Unit A Hawthorne, CA. 90250, (310) 484-2322

Instruction Part Number: 10-2852, © 2011 Advanced Engine Management, Inc.





## **12 Month Limited Warranty**

Advanced Engine Management, Inc. warrants to the consumer that all AEM High Performance products will be free from defects in material and workmanship for a period of twelve (12) months from date of the original purchase. Products that fail within this 12 month warranty period will be repaired or replaced at AEM's option, when determined by AEM that the product failed due to defects in material or workmanship.

This warranty is limited to the repair or replacement of the AEM part. In no event shall this warranty exceed the original purchase price of the AEM part nor shall AEM be responsible for special, incidental or consequential damages or cost incurred due to the failure of this product.

**Warranty claims to AEM must be transportation prepaid and accompanied with dated proof of purchase.** This warranty applies only to the original purchaser of product and is non-transferable. All implied warranties shall be limited in duration to the said 12 month warranty period. Improper use or installation, accident, abuse, unauthorized repairs or alterations voids this warranty.

**An AEM Warranty Claim Form Must Accompany All Warranty Claims. Products returned to AEM with no Return Goods Authorization and/or No Warranty Claim Form may be rejected and returned to sender.**

AEM disclaims any liability for consequential damages due to breach of any written or implied warranty on all products manufactured by AEM. Warranty returns will only be accepted by AEM when accompanied by a valid Return Goods Authorization (RGA) number. Credit for defective products will be issued pending inspection. Product must be received by AEM within 30 days of the date RGA was issued.

**Please note that before we can issue an RGA for an EMS System, it is first necessary for the installer or end user to contact our EMS tech line at (800) 423-0046 to discuss the problem. Most issues can be solved over the phone. Under no circumstances should a system be returned or RGA requested before the above process transpires.**

**AEM does not warranty the Wideband UEGO sensor.**

**AN AEM WARRANTY CLAIM FORM MUST ACCOMPANY ALL ELECTRONICS WARRANTY CLAIMS. AEM ELECTRONIC Products returned to AEM with no RGA and or No Warranty Claim Form may be rejected and returned to sender.**

**A copy of the AEM Warranty Claim Form can be e-mailed or faxed by contacting (310) 484-2322 and ask for Warranty/Claims Department.**